

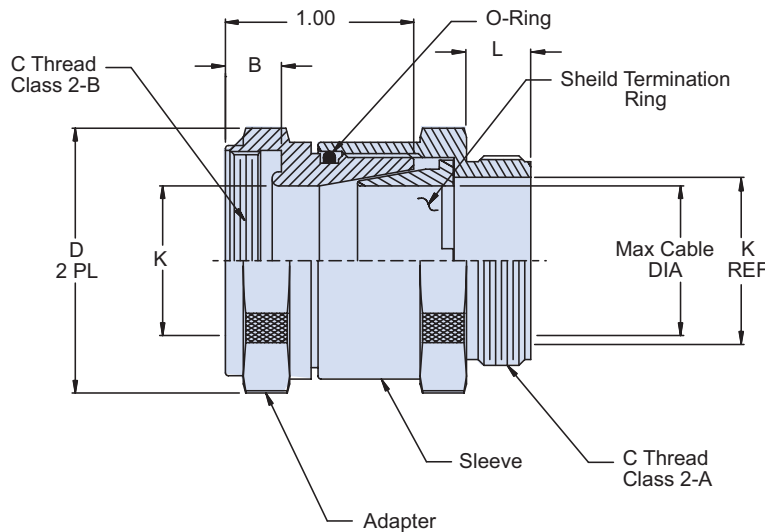
MIL-PRF-24758-24 Multiple Shield Termination Adapter



MIL-PRF
24758A

M24758 - 24 C

Basic No. _____
Conduit Size Code, Table I _____



APPLICATION NOTES

1. Assembly identified with manufacturer's code identification number (Glenair, part number and classification code 490).
2. The M24758-24 adapter terminates individual or overall shields to M24758-9 through M24758-25 series fittings.
3. Material / Finish:
Adapter, coupling nut, 316 / electroless nickel, matte finish.
4. Metric dimensions (mm) are indicated in parentheses.
6. See M24758-2, -3, -4 torque values for C thread.

TABLE I

CONDUIT SIZE CODE	C CLASS - 2* THREAD	D DIA MAX	B +.00 -.03 (.76)	L +.03 (.76) -.00	K DIA MIN	MAX CABLE DIA
A	.438-28 UNEF	.88 (22.35)	.250 (5.21)	.21 (5.25)	.245 (6.22)	0.220 (5.59)
B	.688-24 UNEF	1.13 (28.70)	.245 (6.22)	.25 (6.35)	.495 (12.57)	0.445 (11.30)
C	.938-20 UNEF	1.38 (35.05)	.305 (7.75)	.31 (7.87)	.745 (18.92)	0.670 (17.02)
D	1.250-18 UNEF	1.69 (42.93)	.365 (9.27)	.37 (9.40)	.995 (25.27)	0.895 (22.73)
E	1.563-18 UNEF	2.00 (50.80)	.365 (9.27)	.37 (9.40)	1.245 (31.62)	1.120 (28.45)
F	1.875-16 UN	2.31 (58.67)	.425 (10.80)	.43 (10.92)	1.495 (37.97)	1.345 (34.16)
G	2.375-16 UN	2.94 (74.68)	.425 (10.80)	.43 (10.92)	1.995 (50.67)	1.795 (45.59)
H	2.875-16 UN	3.44 (87.38)	.425 (10.80)	.43 (10.92)	2.495 (63.37)	2.245 (57.02)
J	.563-24 UNEF	.94 (23.88)	.245 (6.22)	.25 (6.35)	.370 (9.40)	0.333 (8.46)
K	.813-20 UNEF	1.19 (30.23)	.305 (7.75)	.31 (7.87)	.620 (15.75)	0.558 (14.17)
L	3.375-16 UN	3.94 (100.08)	.425 (10.80)	.43 (10.92)	2.995 (76.07)	2.695 (68.45)